



Structural Analysis & Design Software

www.dlubal.com



Dipl.-Ing. (FH) Andreas Hörold
Organizer

Marketing & Public Relations
Dlubal Software GmbH



Dipl.-Ing. (FH) Stefan Frenzel
Co-Organizer

Product Engineering & Customer Support
Dlubal Software GmbH

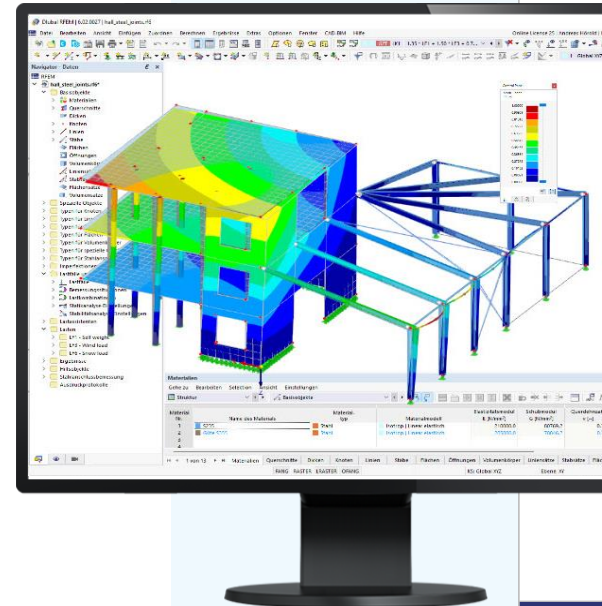


Stine Effler, M.Sc.
Co-Organizer

Product Engineering & Customer Support
Dlubal Software GmbH

Webinar

Seismic Design According to Eurocode 8 in RFEM 6 and RSTAB 9



Questions During the Presentation



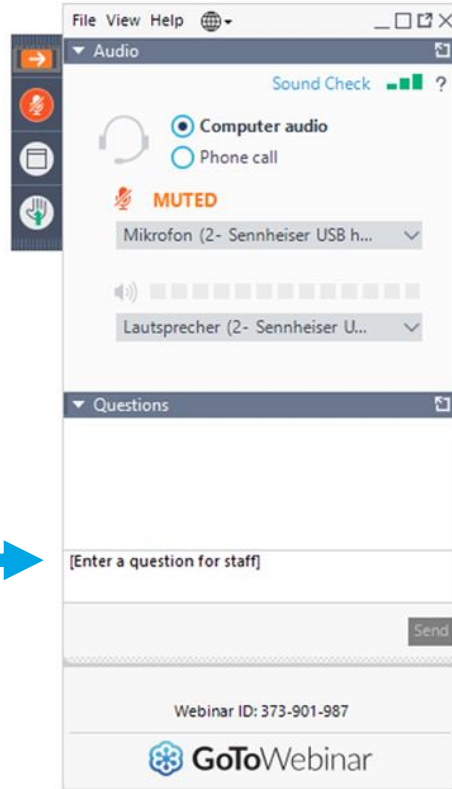
GoToWebinar Control Panel
Desktop



E-mail: info@dlubal.com



Show or hide control panel



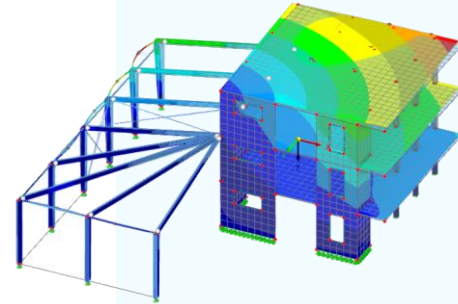
Adjust audio settings

Ask questions



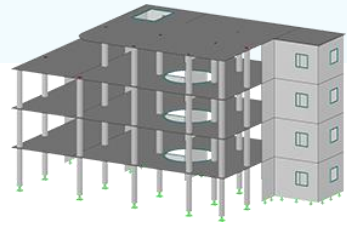
CONTENT

- 01** Modal analysis using a practical example
- 02** Seismic design according to the response spectrum analysis
- 03** Use of results for the structural component design
- 04** Use of the Add-on Building Model for the display of interstory drifts, the forces in shear walls etc.



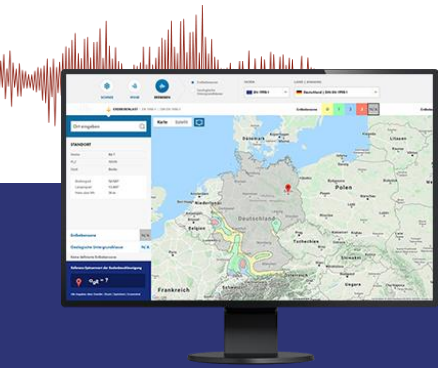


Free Online Services



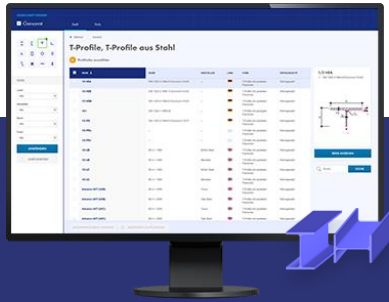
Geo-Zone Tool

Dlubal Software provides an online tool with snow, wind and seismic zone maps.



Cross-Section Properties

With this free online tool, you can select standardized sections from an extensive section library, define parametrized cross-sections and calculate its cross-section properties.



FAQs & Knowledge Base

Access frequently asked questions commonly submitted to our customer support team and view helpful tips and tricks articles to improve your work.



Models to Download

Download numerous example files here that will help you to get started and become familiar with the Dlubal programs.





Free Online Services

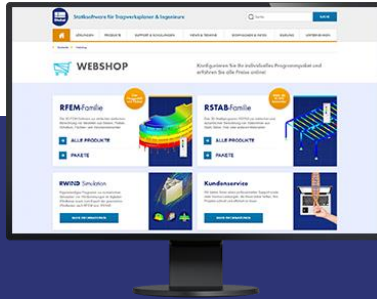
Youtube Channel - Webinars, Videos

Videos and webinars about the structural engineering software.



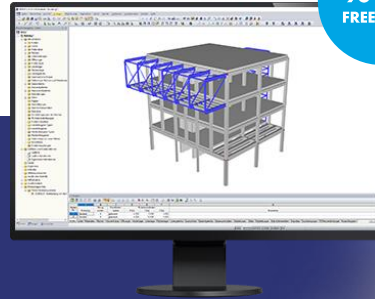
Webshop with Prices

Configure your individual program package and get all prices online!



Trial Licenses

The best way how to learn using our programs is to simply test them for yourself. Download a 90-day free trial version of our structural analysis & design software.



We offer free support via email and chat



— Get Further Details About Dlubal



Visit website
www.dlubal.com

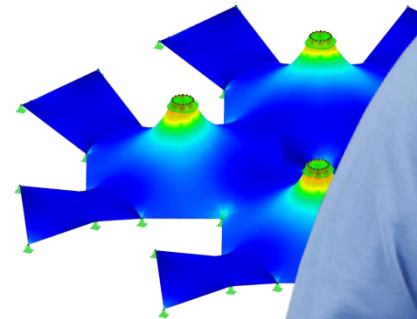
- Videos and recorded webinars
- Newsletters
- Events and conferences
- Knowledge Base articles



See Dlubal
Software in
action in a
webinar



Download
free trial
license



Dlubal Software GmbH
Am Zellweg 2,
93464 Tiefenbach, Germany

Phone: +49 9673 9203-0
E-mail: info@dlubal.com



www.dlubal.com